



MAKER WORKS TECHNOLOGY INC

Technical support: support@makeblock.cc
www.makeblock.cc



:@Makeblock



: @Makeblock



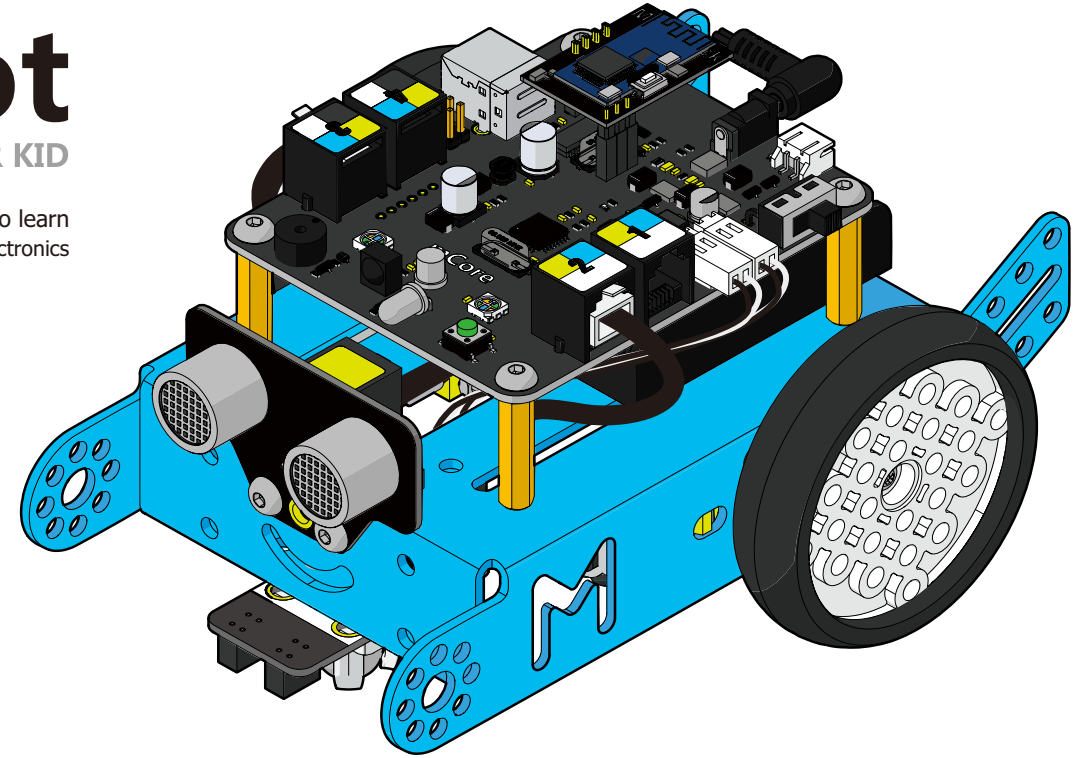
: +Makeblock

Makeblock
Construct Your Dreams

mBot

ONE ROBOT PER KID

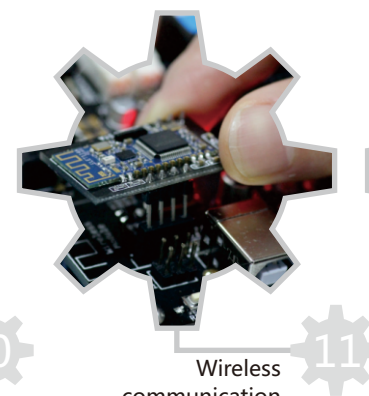
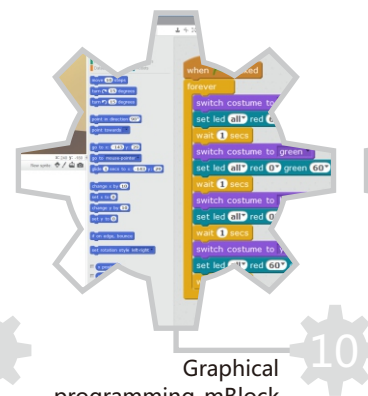
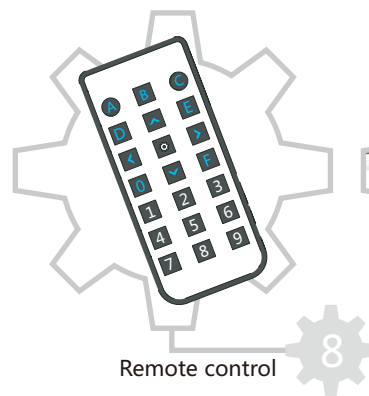
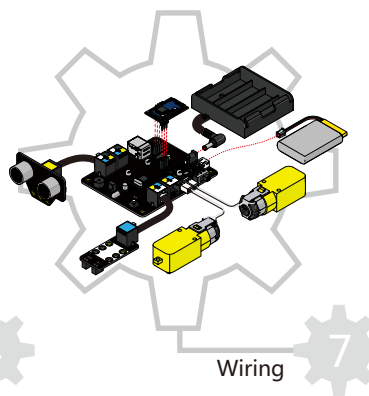
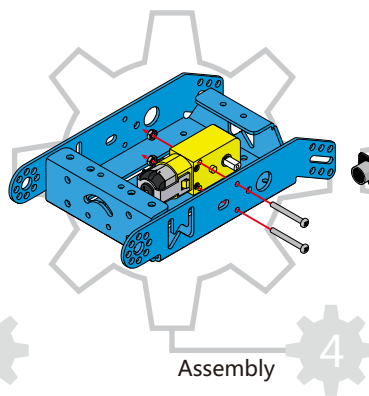
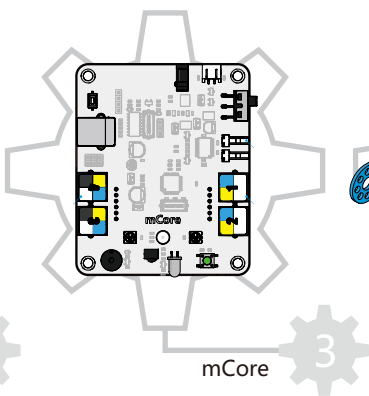
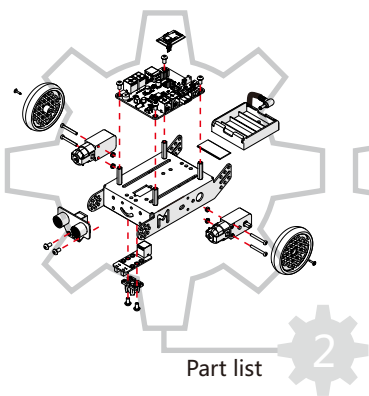
Great tool for beginners to learn graphical programming, electronics and robotics.



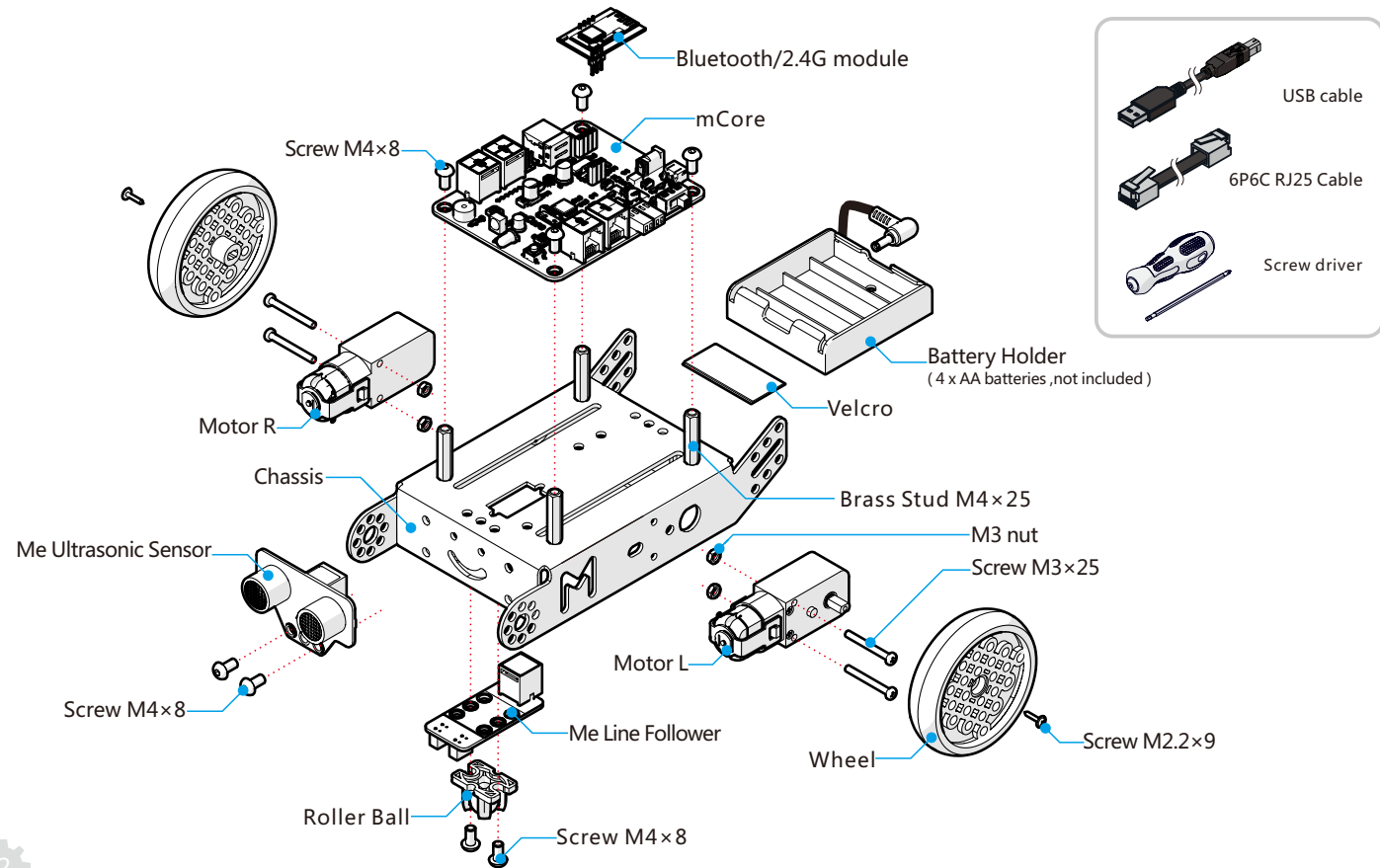
Quick Guide

WARNING: CHOKING HAZARD - Small parts. Not for children under 3 years old.

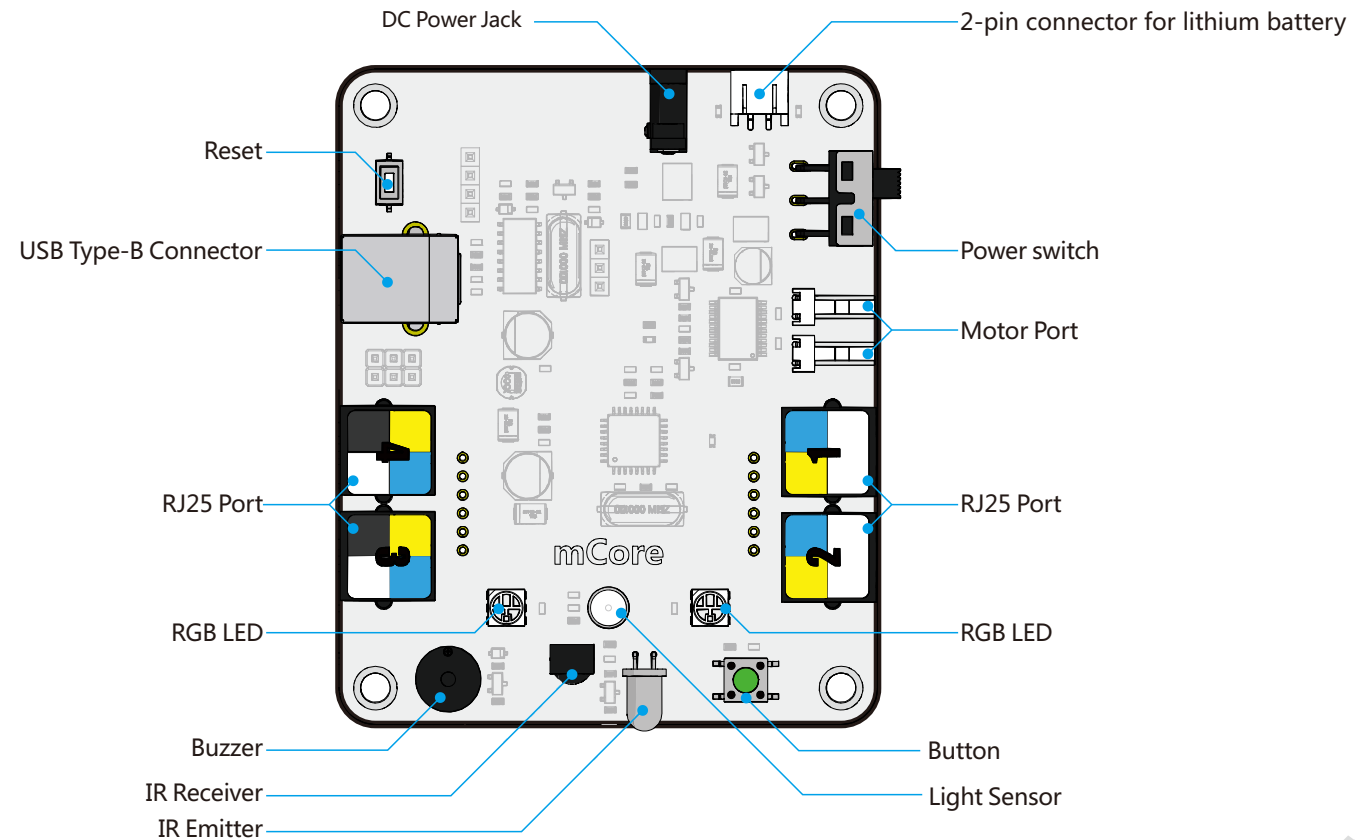
mBot is an educational robot kit for beginners to get hands-on experience about graphical programming, electronics, and robotics. It is an all-in-one solution for robotics learning and designed for STEM education.



Part List

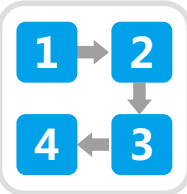
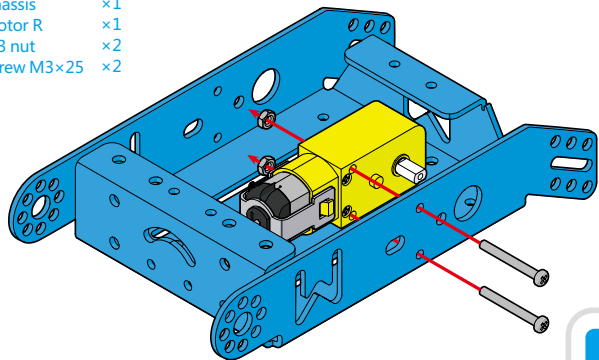


mCore

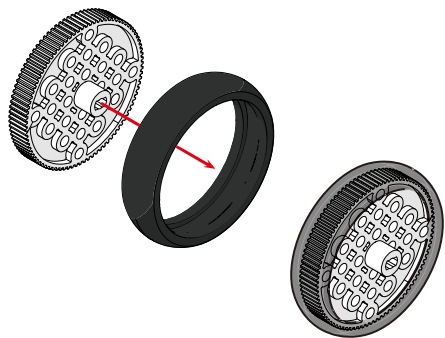
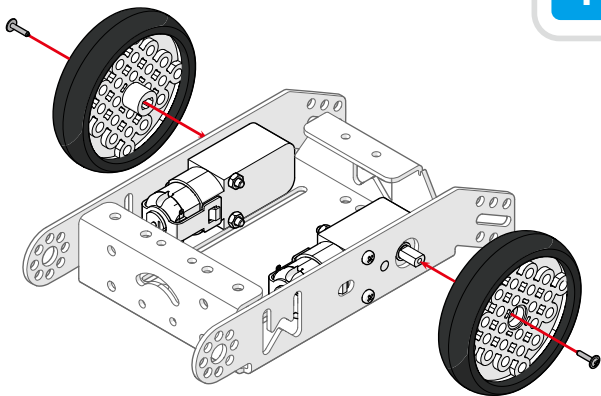


Assembly

- Chassis ×1
- Motor R ×1
- M3 nut ×2
- Screw M3×25 ×2

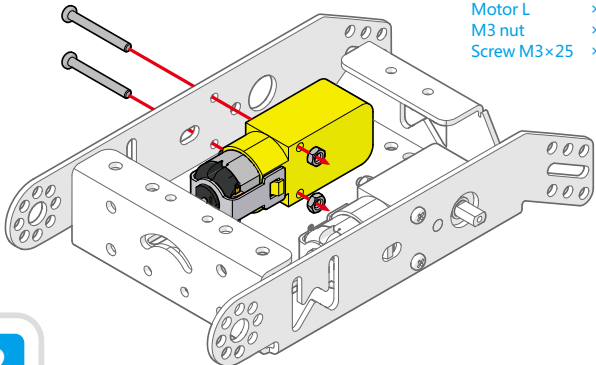


- Screw M2.2×9 ×2

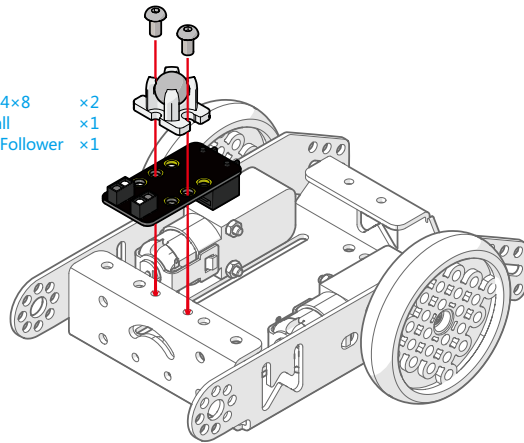


- Wheel ×2

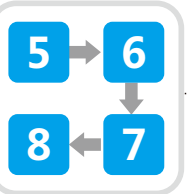
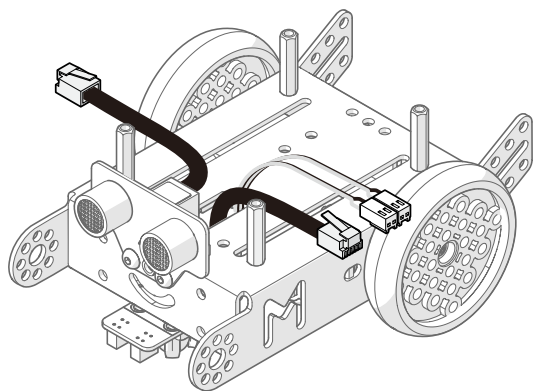
- Motor L ×1
- M3 nut ×2
- Screw M3×25 ×2



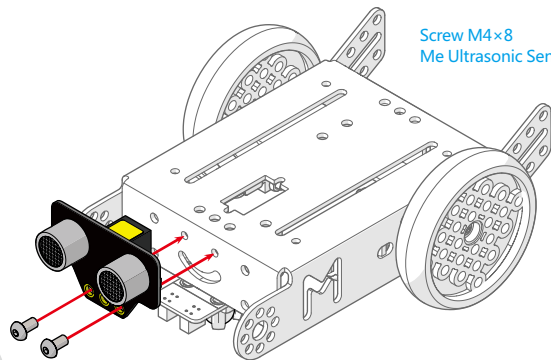
- Screw M4×8 ×2
- Roller Ball ×1
- Me Line Follower ×1



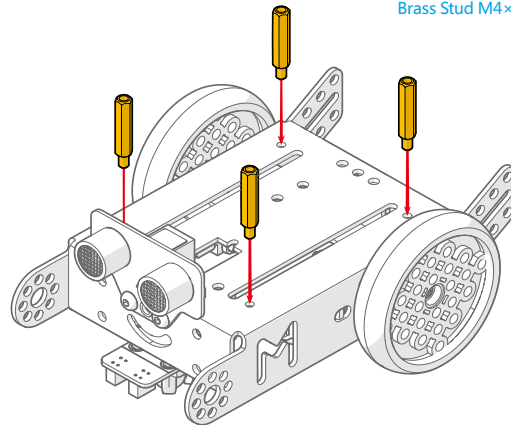
- RJ25 Cable ×2



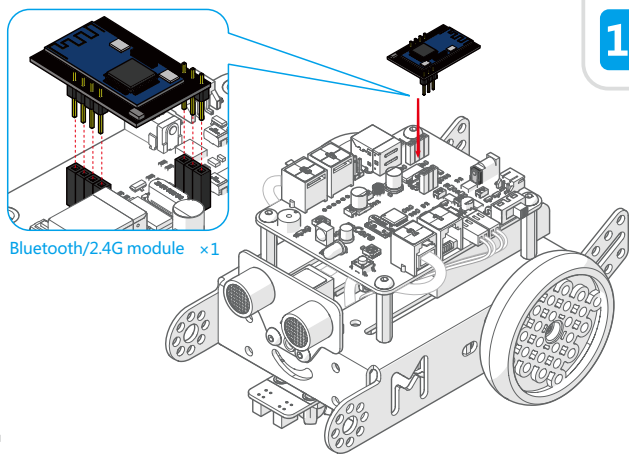
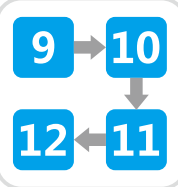
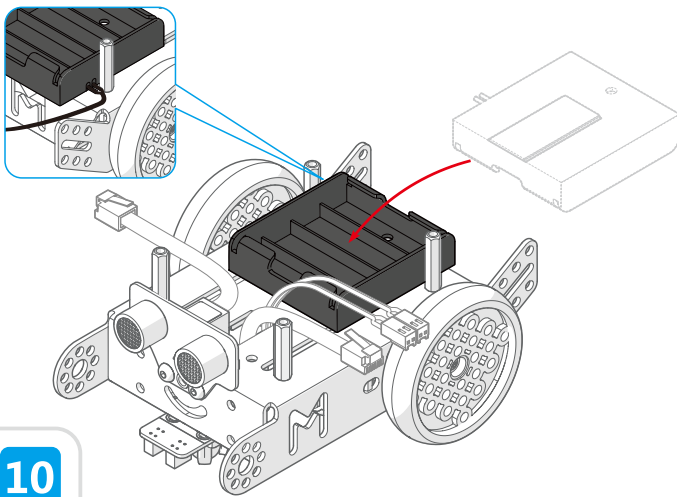
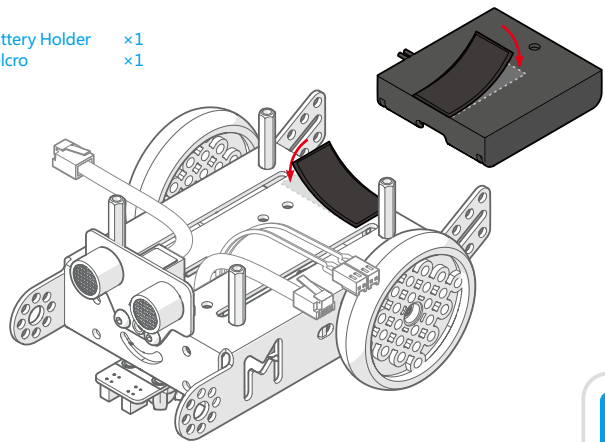
- Screw M4×8 ×2
- Me Ultrasonic Sensor ×1



- Brass Stud M4×25 ×4

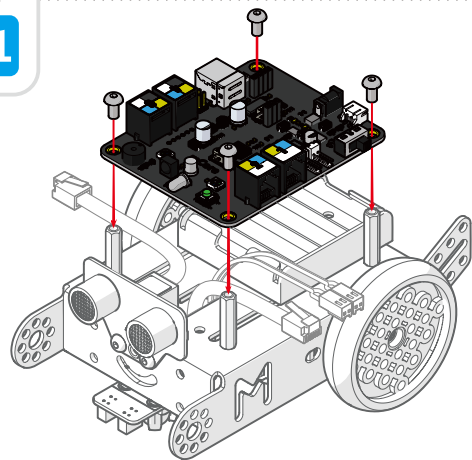


Battery Holder ×1
Velcro ×1

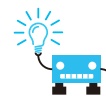
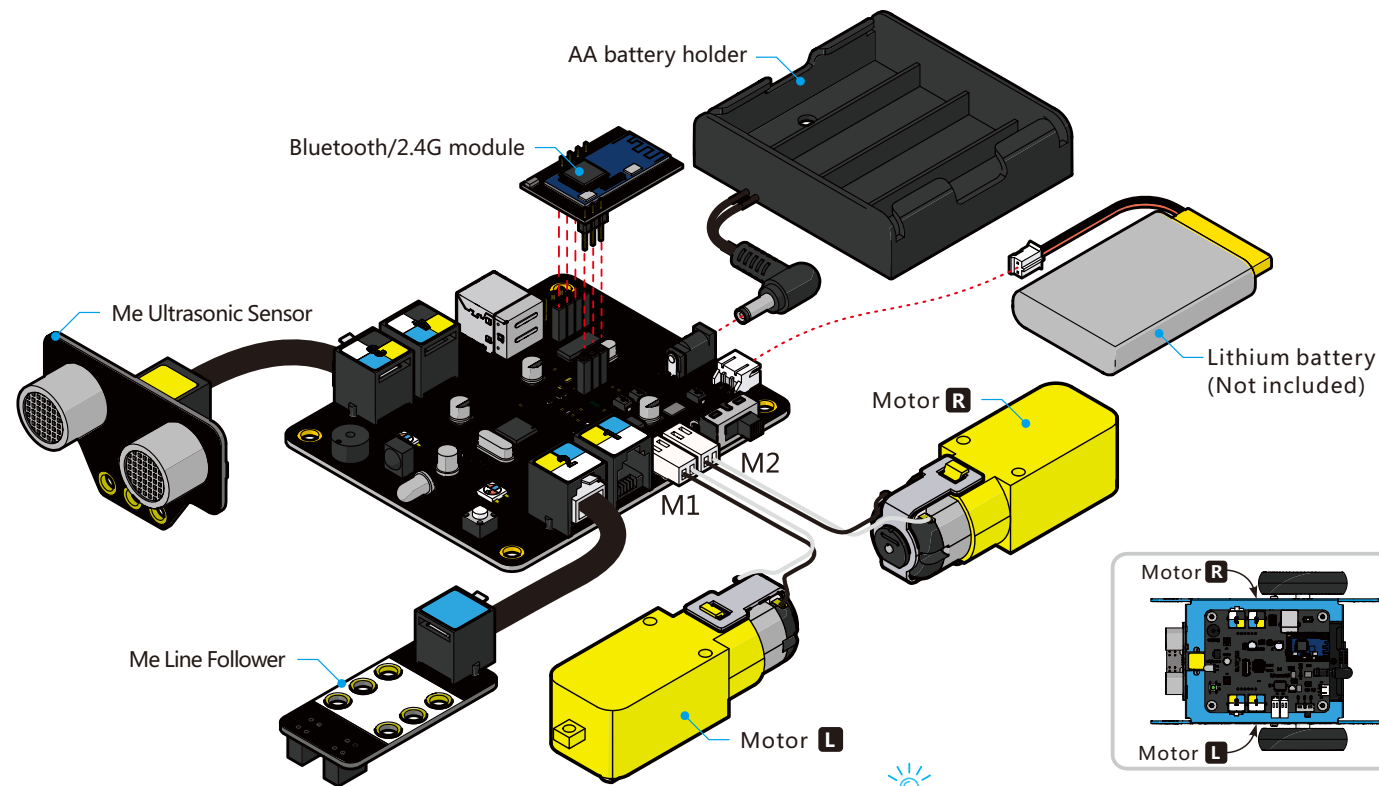


Bluetooth/2.4G module ×1

Screw M4×8 ×4
mCore ×1



Wiring



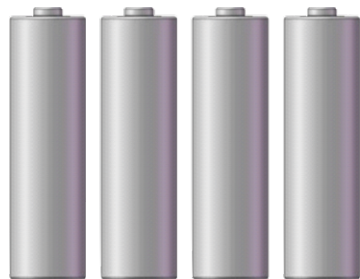
You may need to switch the order of two wires(M1, M2) to correct the rotation direction

Batteries Suggestion

mCore's power supply: 3.7V DC — 6V DC

Option 1:

4 × AA batteries(Not included)



Option 2:

3.7V lithium battery(Not included) with a standard 2-pin JST-PH connector. Support on-board charge via USB cable.

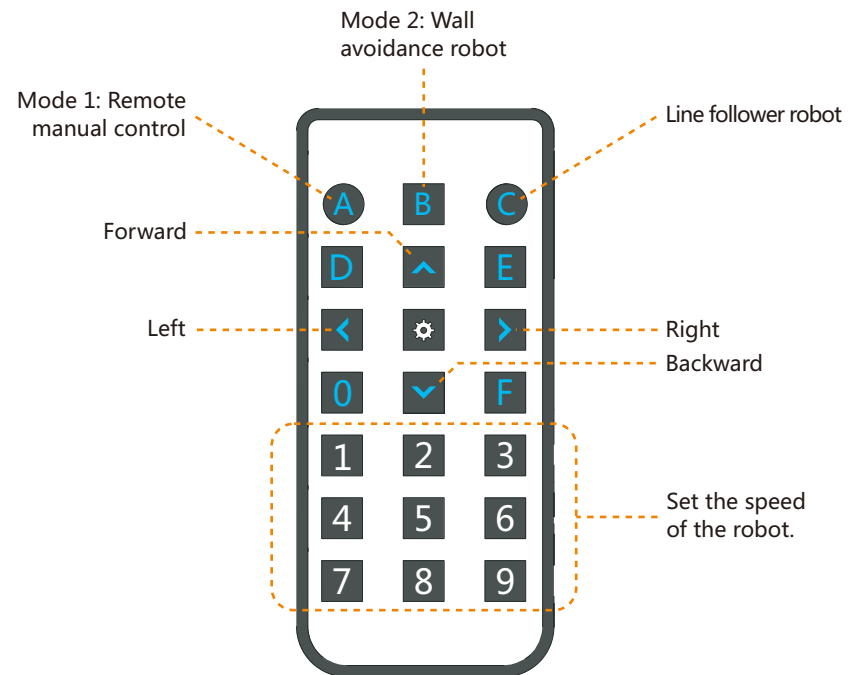


Notice:

CR2025 button cell battery for remote control is not included.



Remote Control



Mode 1: Remote manual control

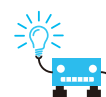
Users can use buttons to control the direction and speed of mBot.

Mode 2: Wall avoidance robot

A robot that can avoid walls and obstacles while moving.

Mode 3: Line follower robot

Line follower is a robot that can follow a path. The path can be visible like a black line on a white surface (or vice-versa)



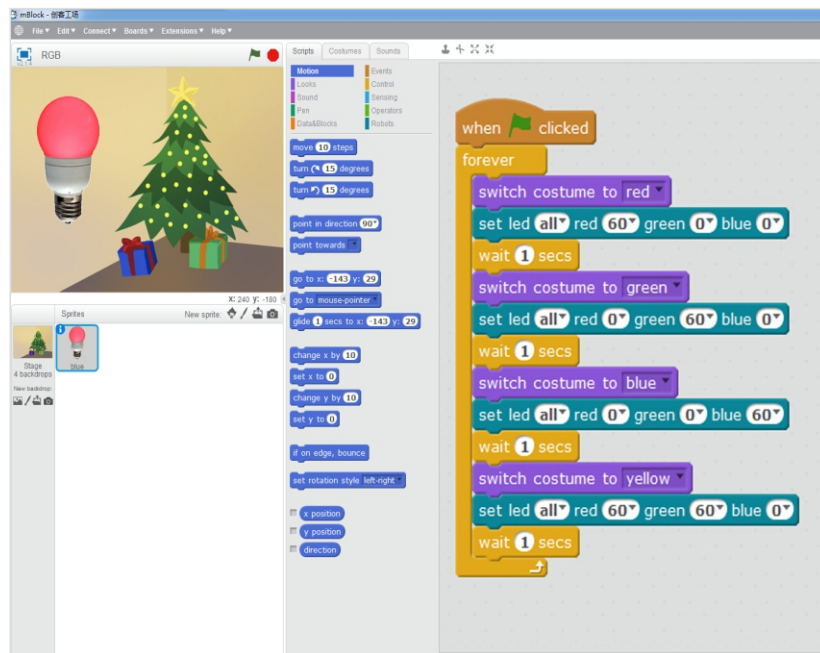
Suggestion: Play mBots on the flat surface

Graphical Programming-mBlock

Introduction

mBlock is a free modified version of Scratch 2.0 developed by MIT Media Lab. Added some hardware-related blocks based on the original Scratch, mBlock enables users to read sensors, control motors and even the whole robot with ease.

Download: <http://mblock.cc/download/>

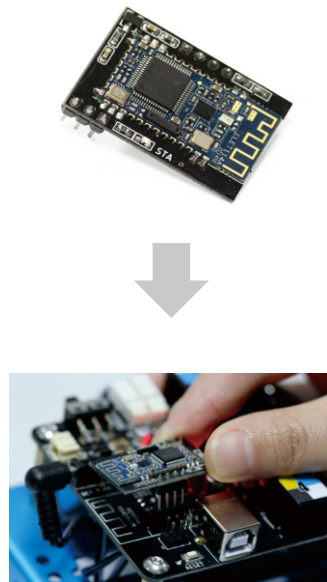


Get started with mBlock to program the mBot:
<http://learn.makeblock.cc/mbot/>

Wireless Communication

1. Introduction of Bluetooth module

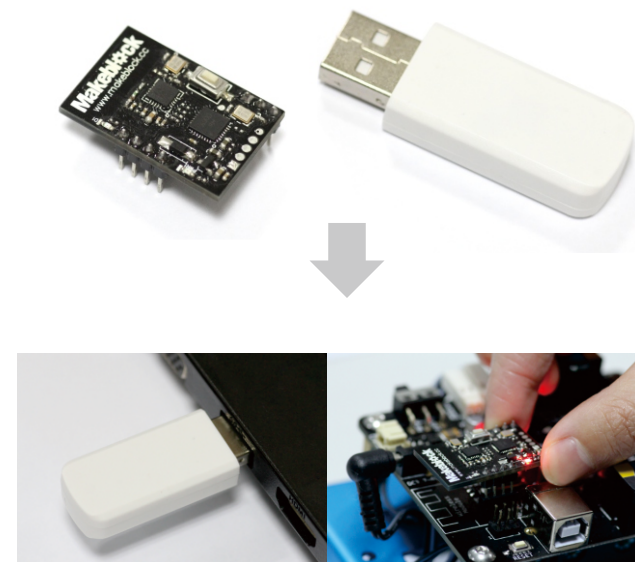
This Bluetooth module is designed specially for mCore with the support of Bluetooth 2.0 and 4.0. It's suitable for both individual users and family. Users can use their smart phones or computers to control the mBots wirelessly with this module.



More detailed tutorials:
<http://learn.makeblock.cc/mbot/>

2. Introduction of 2.4G wireless serial

The 2.4G wireless serial includes two parts: 2.4G wireless serial-USB for computer; 2.4G wireless serial-module for mCore. It uses the same technology as wireless mouse and is very suitable for classroom. No driver and pairing needed.

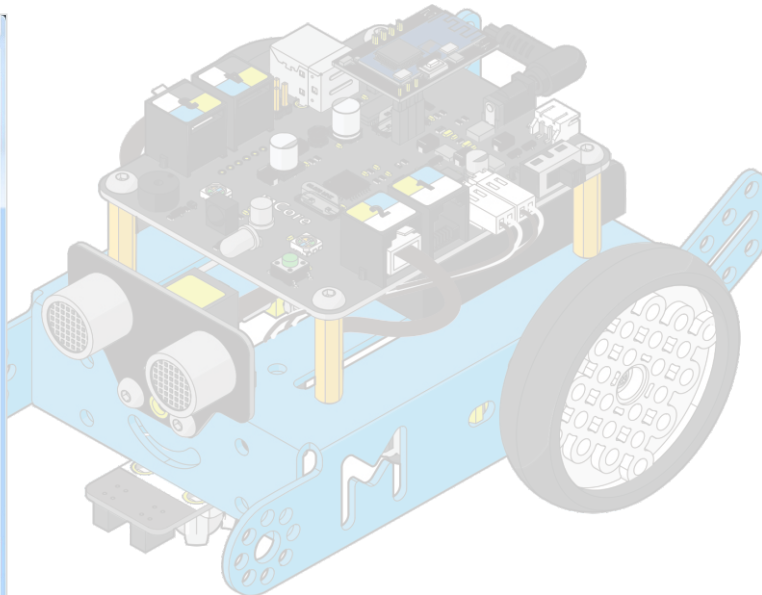
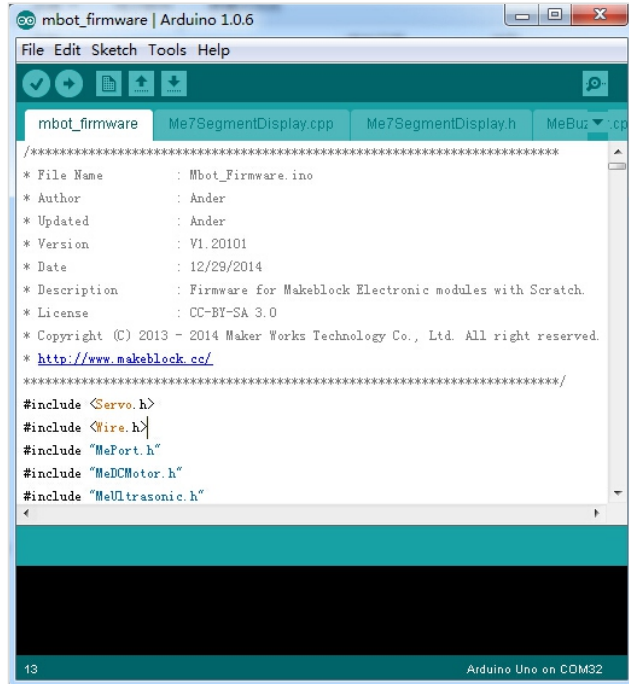


More detailed tutorials:
<http://learn.makeblock.cc/mbot/>



Arduino Programming(C language)

Arduino is an open-source electronics prototyping platform based on flexible, easy-to-use hardware and software. The Arduino software consists of a development environment(IDE) and the core libraries. The IDE is written in Java and based on the Processing development environment.



More detailed tutorials:
<http://learn.makeblock.cc/mbot/>

Electronic Modules on Makeblock--Further Exploration

	<p>Me 3-Axis Accelerometer and Gyro Sensor is used to measure the angular rate and the acceleration information of your robot or other devices. It is useful for sumo robots to detect bumps.</p>			<p>Me Sound Sensor can measure the volume. It can be used in some sound interactive projects, such as a voice operated switch.</p>	
	<p>Me 7-Segment Display is a display module with four digits tube which can show some data...some data, such as speed, time, score, and etc.</p>			<p>Me Temperature Sensor is a stainless steel tube sensor which is used for measuring temperature.</p>	
	<p>Me Potentiometer can convert rotary motion to an analog input which can be used to control the speed of a mobile robot, the brightness of RGB LEDs, or others.</p>			<p>Me PIR Motion Sensor can detect infrared ray which derives from animals/humans within 19.7 feet (6 meters)</p>	
	<p>Me Joystick is normally used to control the moving direction of object.</p>		<p>See More on Makeblock Platform</p>		

