

Reflex Hammer Accessory Kit

Order Code RFX-ACC



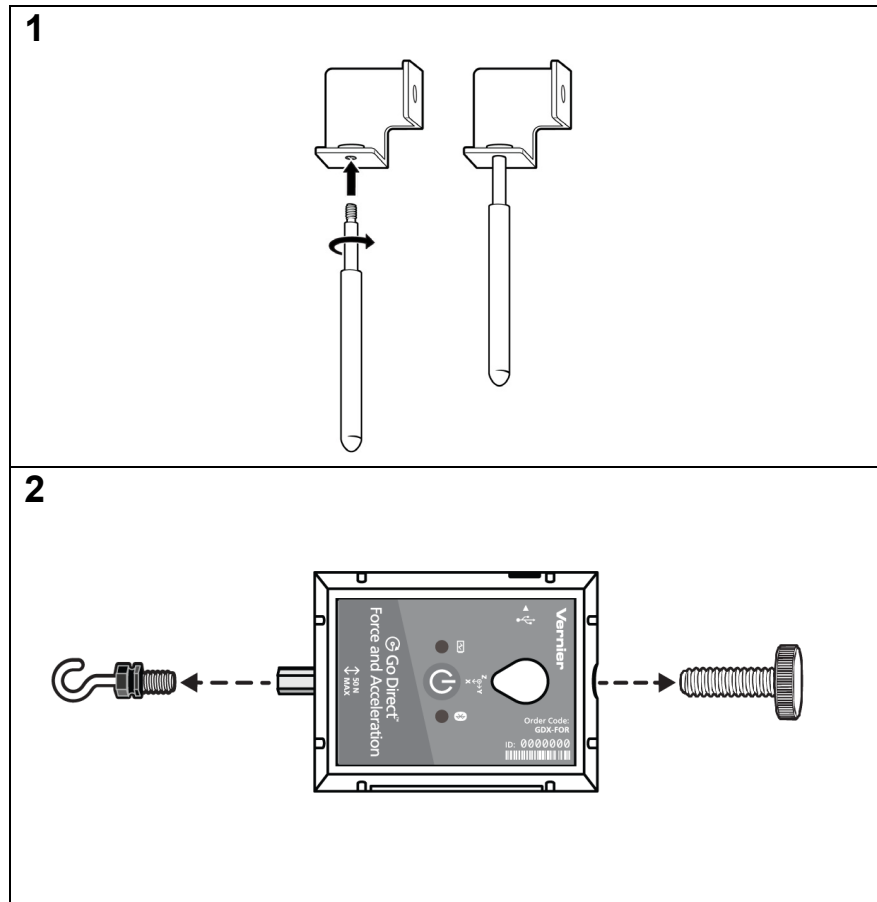
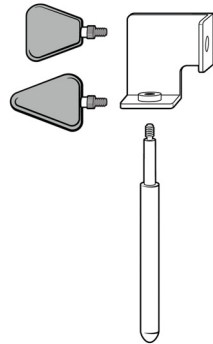
What's Included

- Wide-taper head
- Narrow-taper head
- Bracket
- Handle

The Reflex Hammer Accessory Kit is used to turn Go Direct[®] Force and Acceleration or a Dual-Range Force Sensor (sensors not included) into a reflex hammer that collects data.

For more information, see www.vernier.com/rfx-acc

Assembly Instructions



Reflex Hammer Accessory Kit

Order Code RFX-ACC



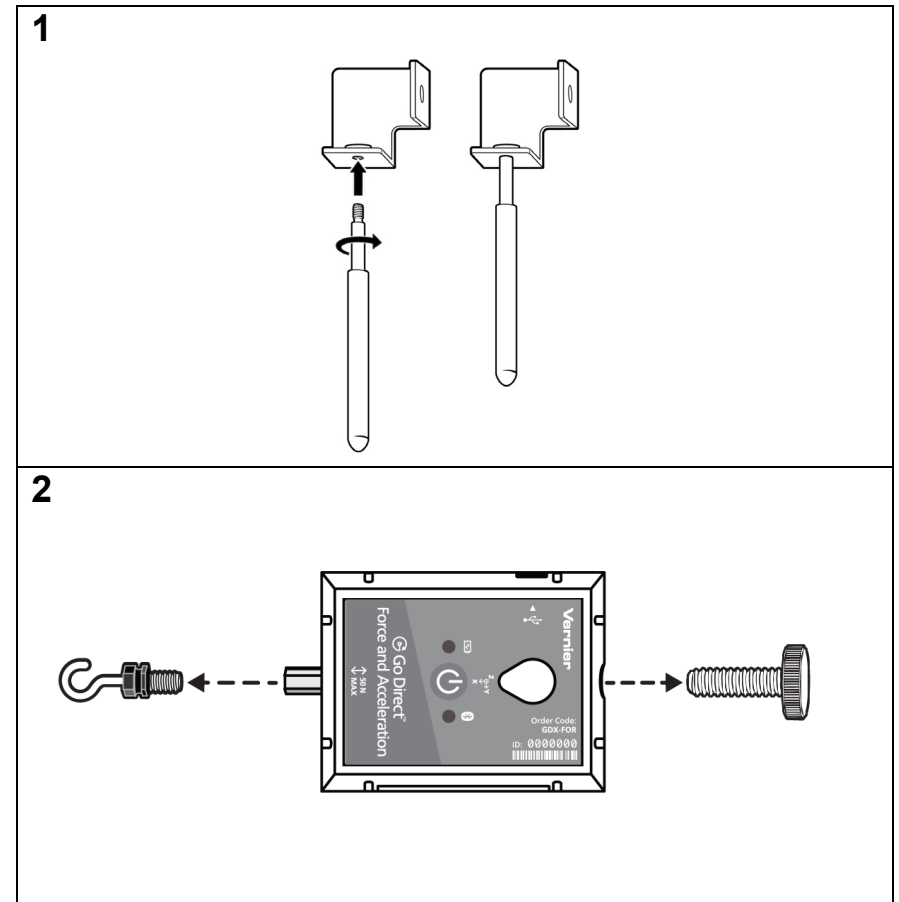
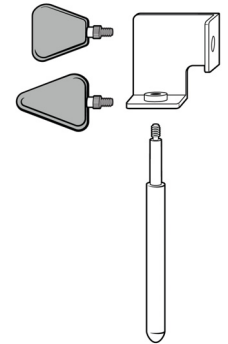
What's Included

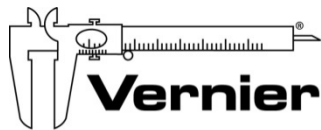
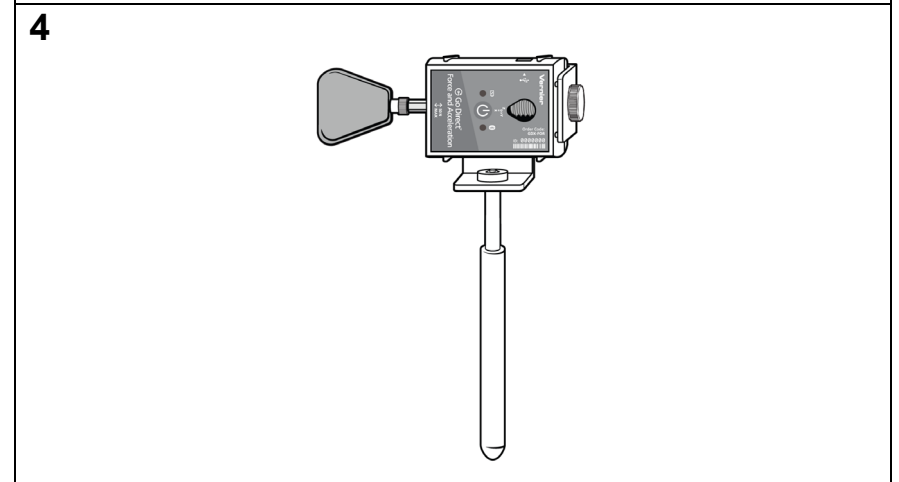
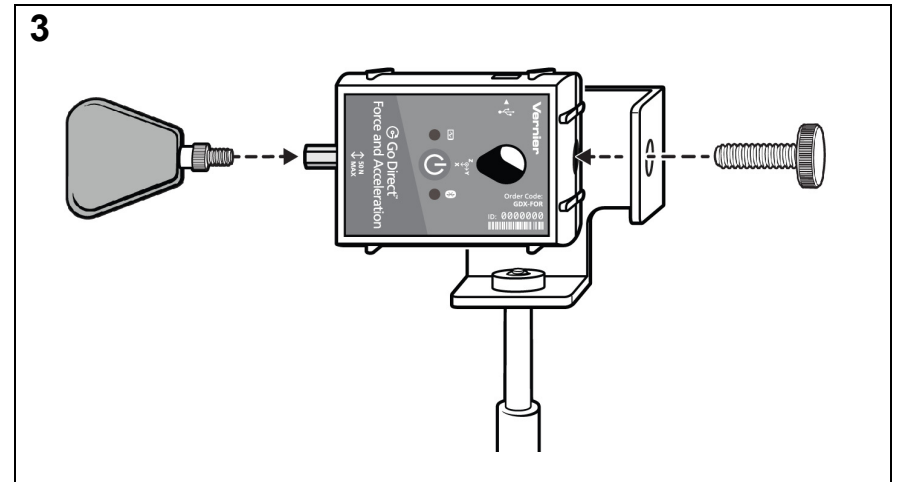
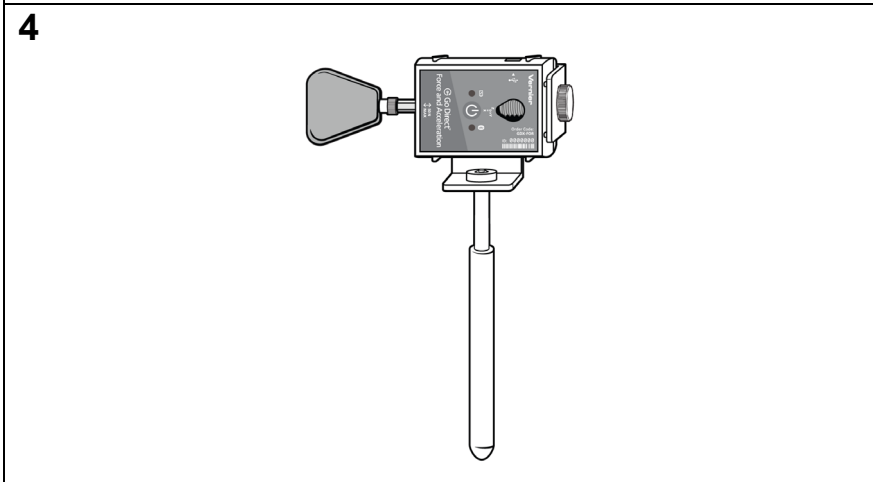
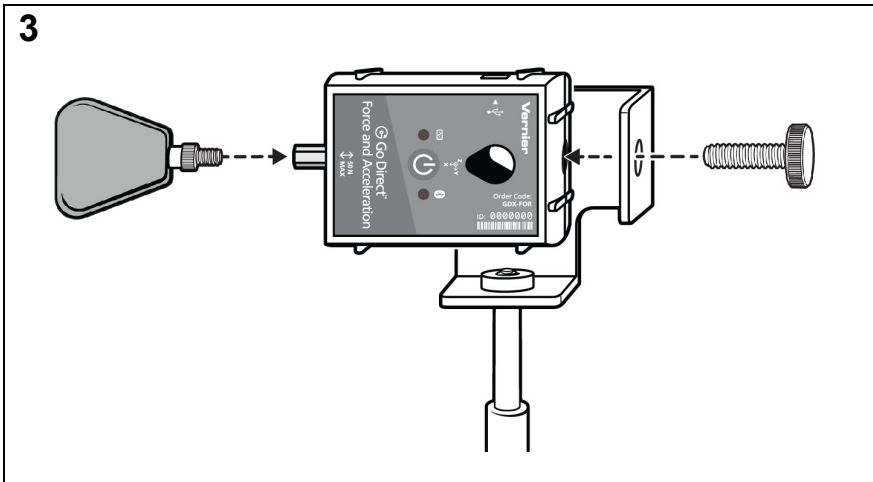
- Wide-taper head
- Narrow-taper head
- Bracket
- Handle

The Reflex Hammer Accessory Kit is used to turn Go Direct[®] Force and Acceleration or a Dual-Range Force Sensor (sensors not included) into a reflex hammer that collects data.

For more information, see www.vernier.com/rfx-acc

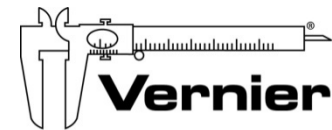
Assembly Instructions





Measure. Analyze. Learn.™
Vernier Software & Technology

13979 S. W. Millikan Way • Beaverton, OR 97005-2886
 Toll Free (888) 837-6437 • (503) 277-2299 • FAX (503) 277-2440
 info@vernier.com • www.vernier.com



Measure. Analyze. Learn.™
Vernier Software & Technology

13979 S. W. Millikan Way • Beaverton, OR 97005-2886
 Toll Free (888) 837-6437 • (503) 277-2299 • FAX (503) 277-2440
 info@vernier.com • www.vernier.com

Rev. 12/12/18

Go Direct and other marks shown are our trademarks or registered trademarks in the United States. All other marks not owned by us that appear herein are the property of their respective owners, who may or may not be affiliated with, connected to, or sponsored by us.

Printed on recycled paper



Rev. 12/12/18

Go Direct and other marks shown are our trademarks or registered trademarks in the United States. All other marks not owned by us that appear herein are the property of their respective owners, who may or may not be affiliated with, connected to, or sponsored by us.

Printed on recycled paper

